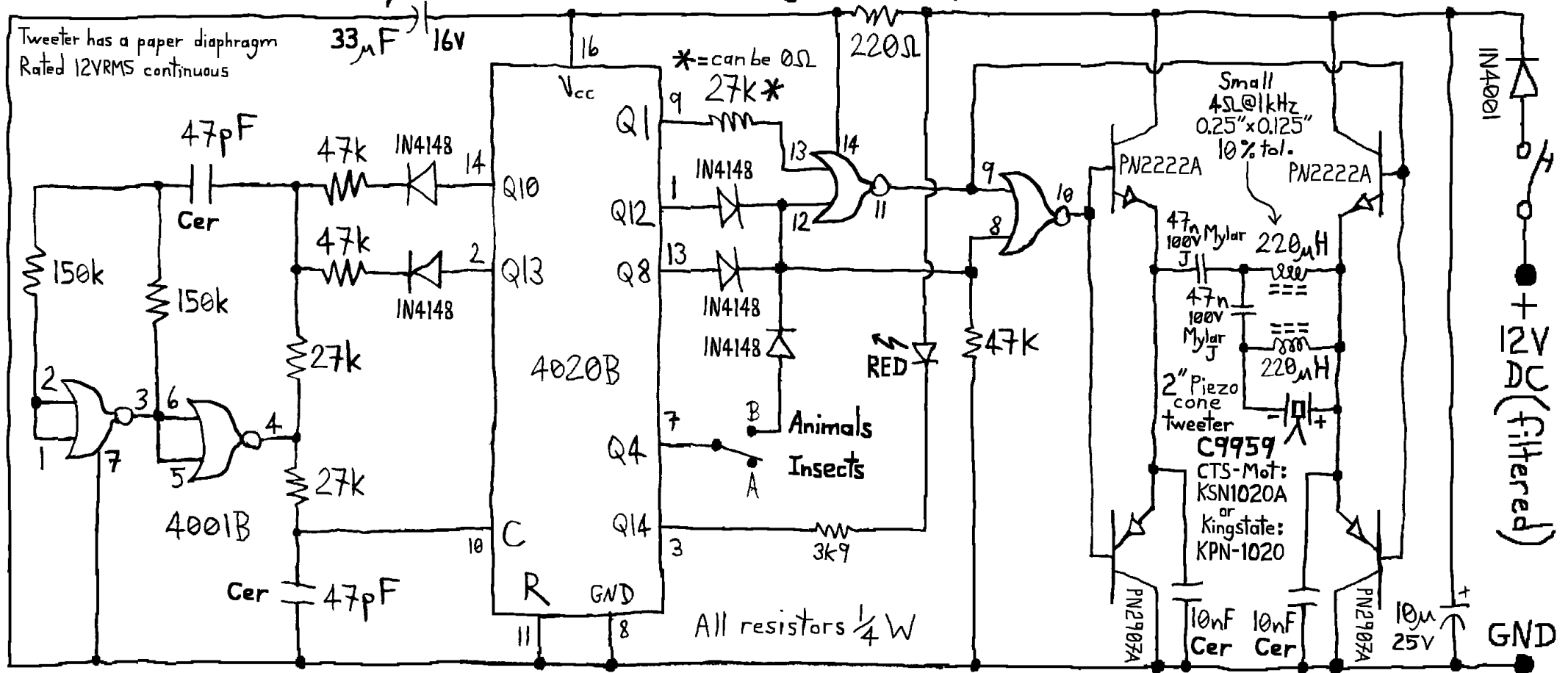


This is one of the better and more popular brands. It emits bursts of pulses at different frequencies. I did not find any spider webs inside this unit:

Ultrasonic Pest Repeller

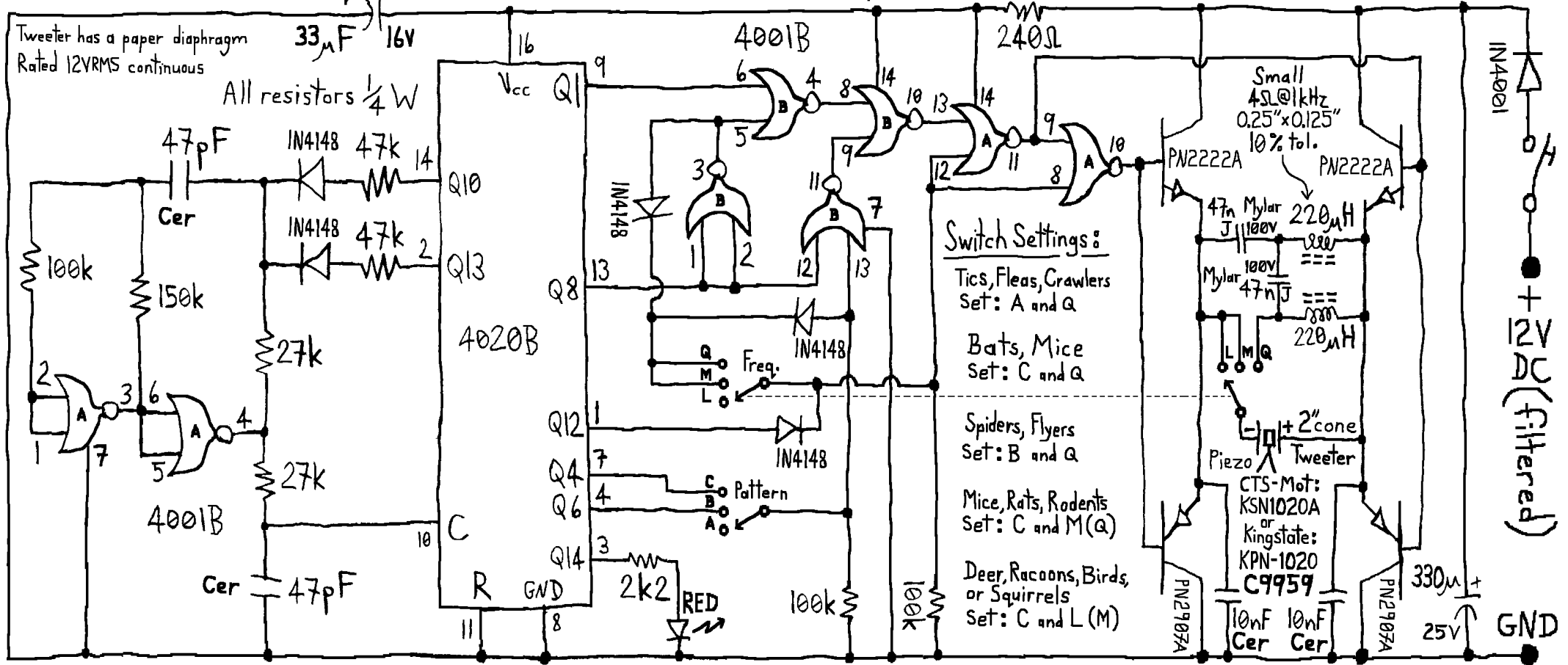
Emits groups of pulses at 20, 32, and 40 KHz



Here is a higher end version of the same thing, with a few extra user selectable settings to allow audible as well as ultrasonic output so it can be more effective against animals:

Ultrasonic Pest Repeller

Emits Patterns of pulses at 20-50KHz(Q), + 5-12KHz(M), + 2-5KHz(L)

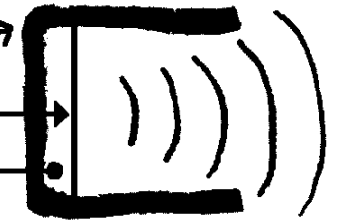


And a cheapo one that runs directly off the AC line:

ULTRASONIC 110VAC PEST REPELLER

WARBLES 35-57 KHz

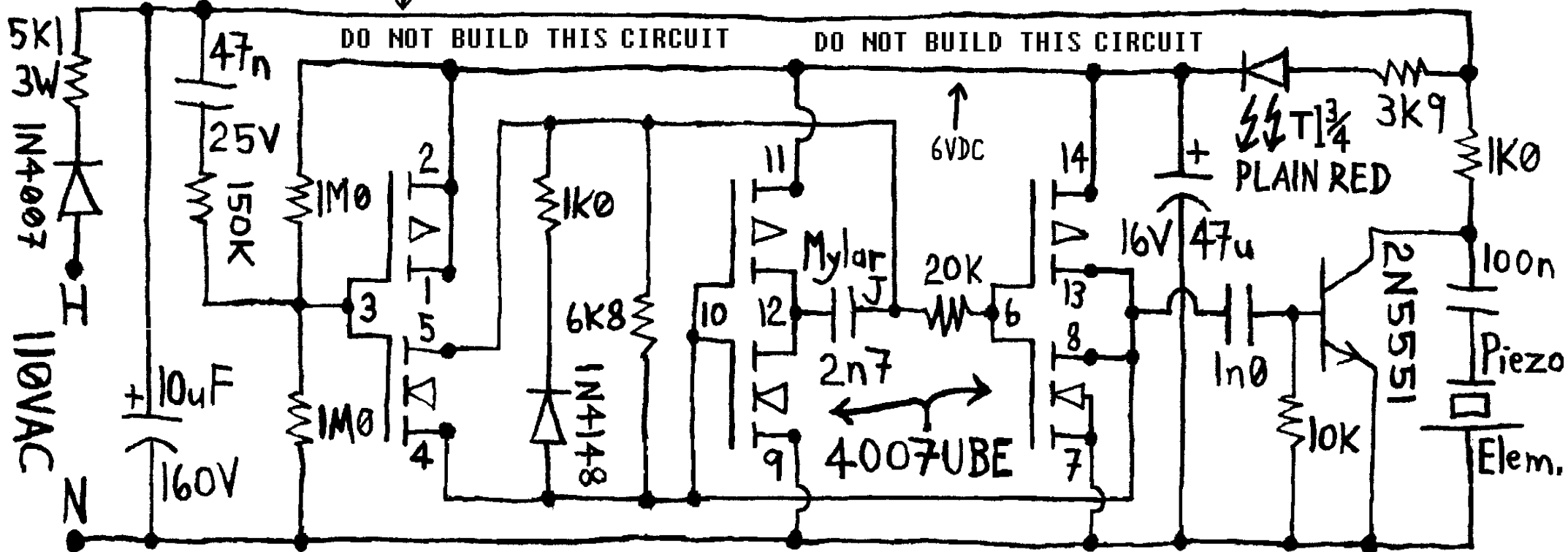
PLASTIC HOLDER
2cm PIEZO ELEMENT
SMALL AIR SPACE



12V-20V
RIPPLING DC

DO NOT BUILD THIS CIRCUIT

DO NOT BUILD THIS CIRCUIT



I do not guarantee the accuracy or safety of any information herein.

email me snovotill@hotmail.com
 HOME
 W3C HTML 3.2

Do not experiment with or build any of the above circuits.